

PARACHUTE INDONESIA

DROGUE CHUTE DSU-25-PI

PARACHUTE ENGINEERING

NOT FOR SCALE

PREPARED BY: R. ADMURSTO, M.Eng. CA	DATE:
CHECKED BY:	DATE:
QC APPROVED:	DATE:
CONTRACT NO:	

PARACHUTE INDONESIA
Jl. Gading Griya Lestari Raya Blok HI no. 43,
Sukapura, Jakarta Utara 14140,

PARACHUTE INDONESIA	
DRAWING:	REVISION:
SCALE: NONE	SHEET:

PARACHUTE INDONESIA

INDEX:

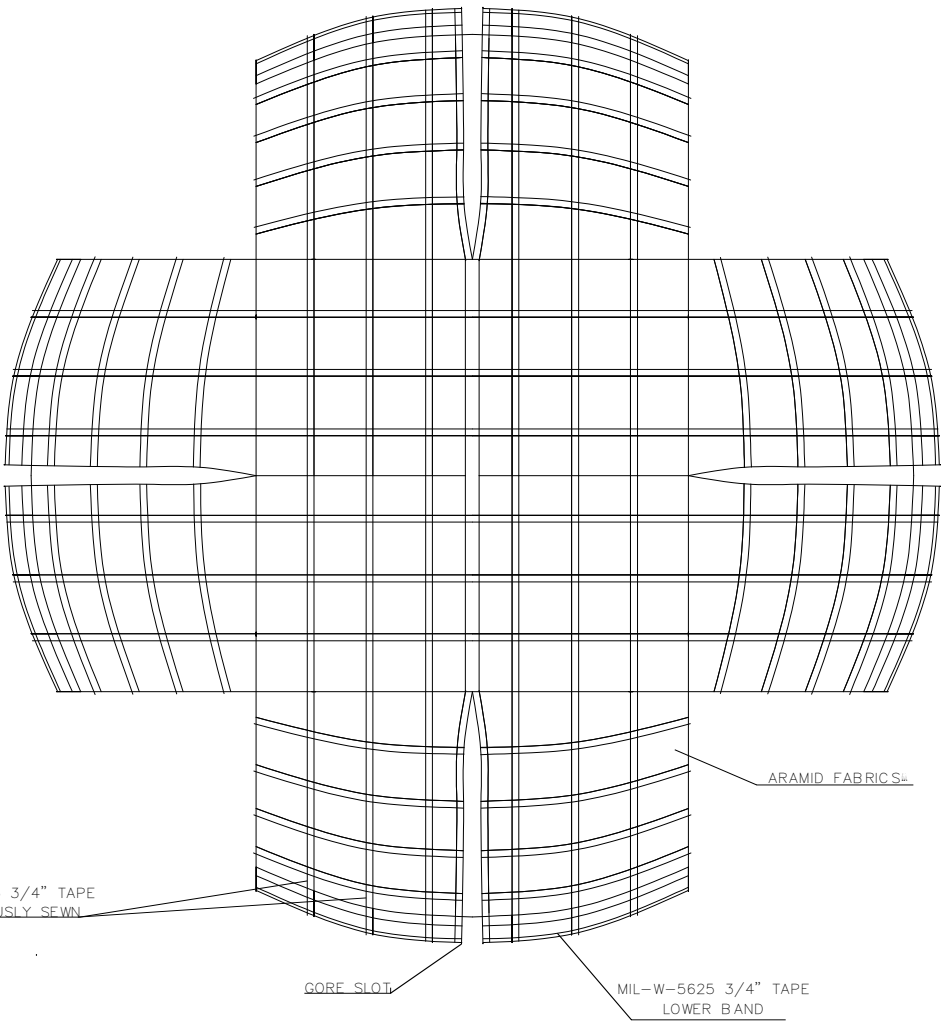
pg.	1	COVER PAGE
pg.	2	INDEX
pg.	3	OVERVIEW
pg.	4	SIDE VIEW
pg.	5	SEWING PATTERNS
pg.	6	INDIVIDUAL PATTERNS
pg.	7	CFD ANALYSIS, PRESSURE AND TEMPERATURE
pg.	8	CFD ANALYSIS, SHEAR STRENGTH AND FLOW SIMULATION

NOT FOR SCALE

PREPARED BY: R. ADMURISTO, M.Eng. CA	DATE:
CHECKED BY:	DATE:
QC APPROVED:	DATE:
CONTRACT NO:	

PARACHUTE INDONESIA
Jl. Gading Grya Lestari Raya Blok HI no. 43,
Sukapura, Jakarta Utara 14140,

PARACHUTE INDONESIA	
DRAWING:	REVISION:
SCALE: NONE	SHEET:

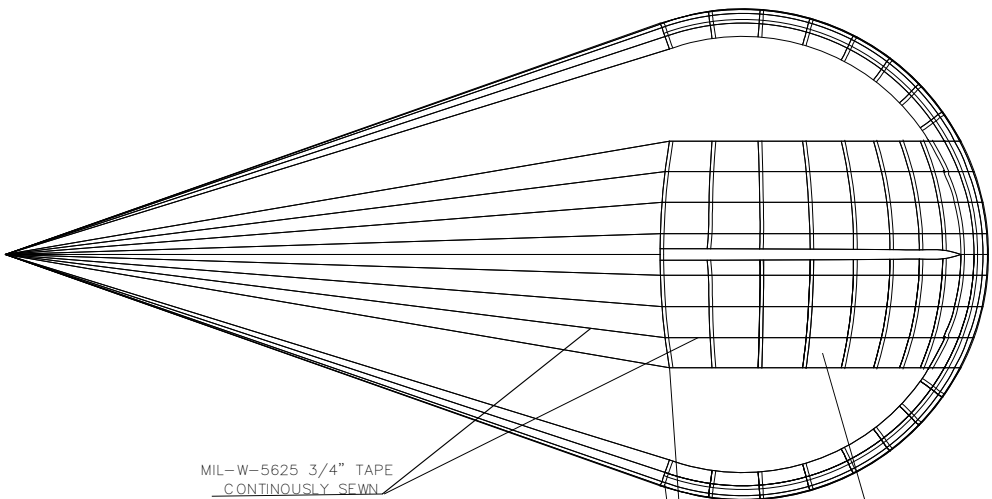


NOT FOR SCALE

PREPARED BY: R. ADMURSITO, M.Eng. CA	DATE:
CHECKED BY:	DATE:
QC APPROVED:	DATE:
CONTRACT NO:	

PARACHUTE INDONESIA
 Jl. Gading Grya Lestari Raya Blok HI no. 43,
 Sukapura, Jakarta Utara 14140,

DSU-25-P1 OVERVIEW	
DRAWING:	REVISION:
SCALE: NONE	SHEET:



ARAMID FABRICS

MIL-W-5625 3/4" TAPE
LOWER BAND

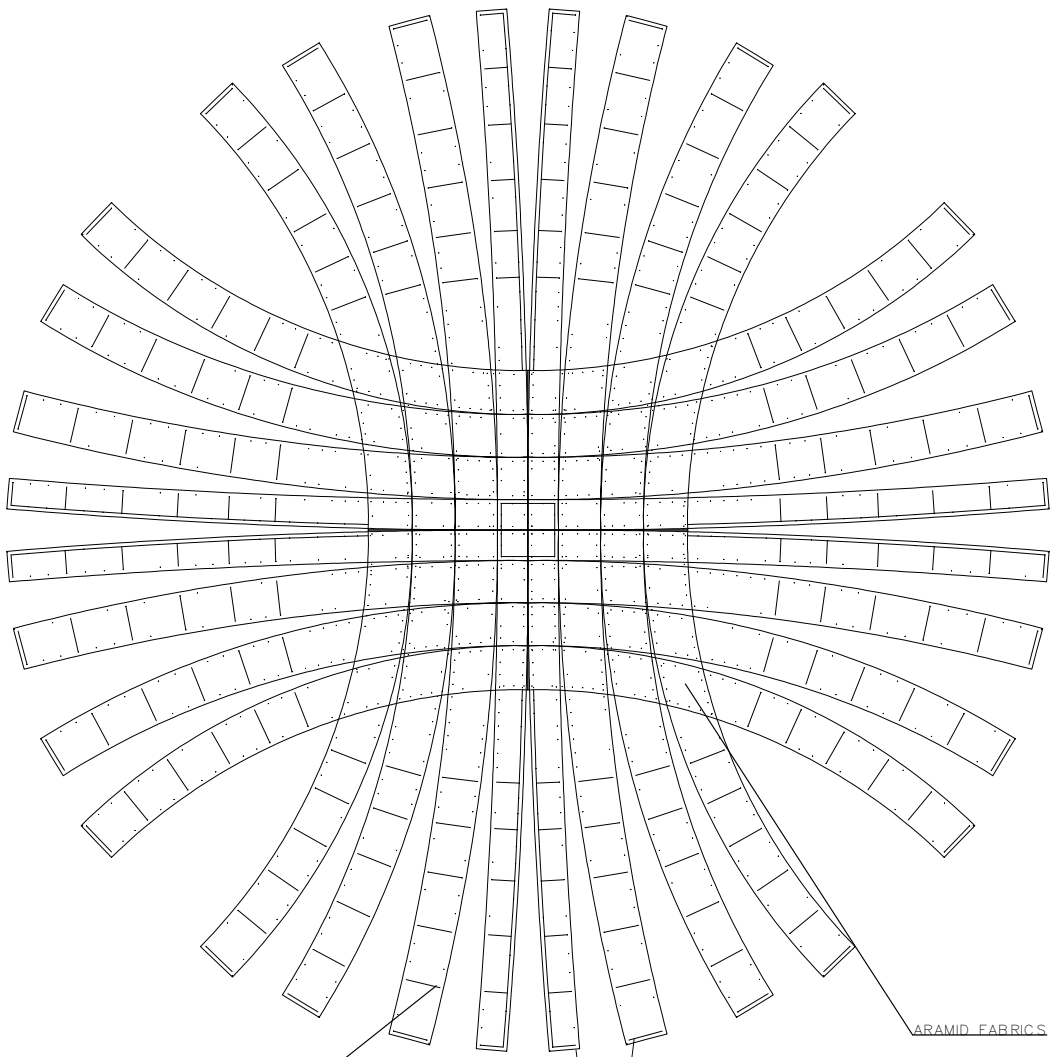
MIL-W-5625 3/4" TAPE
CONTINUOUSLY SEWN

NOT FOR SCALE

PREPARED BY: R. ADMURSITO, M.Eng. CA	DATE:
CHECKED BY:	DATE:
QC APPROVED:	DATE:
CONTRACT NO:	

PARACHUTE INDONESIA
 Jl. Gading Grya Lestari Raya Blok HI no. 43,
 Sukapura, Jakarta Utara 14140,

DSU-25-P1 SIDE VIEW	
DRAWING:	REVISION:
SCALE: NONE	SHEET:



ARAMID FABRICS

STITCH MARKINGS

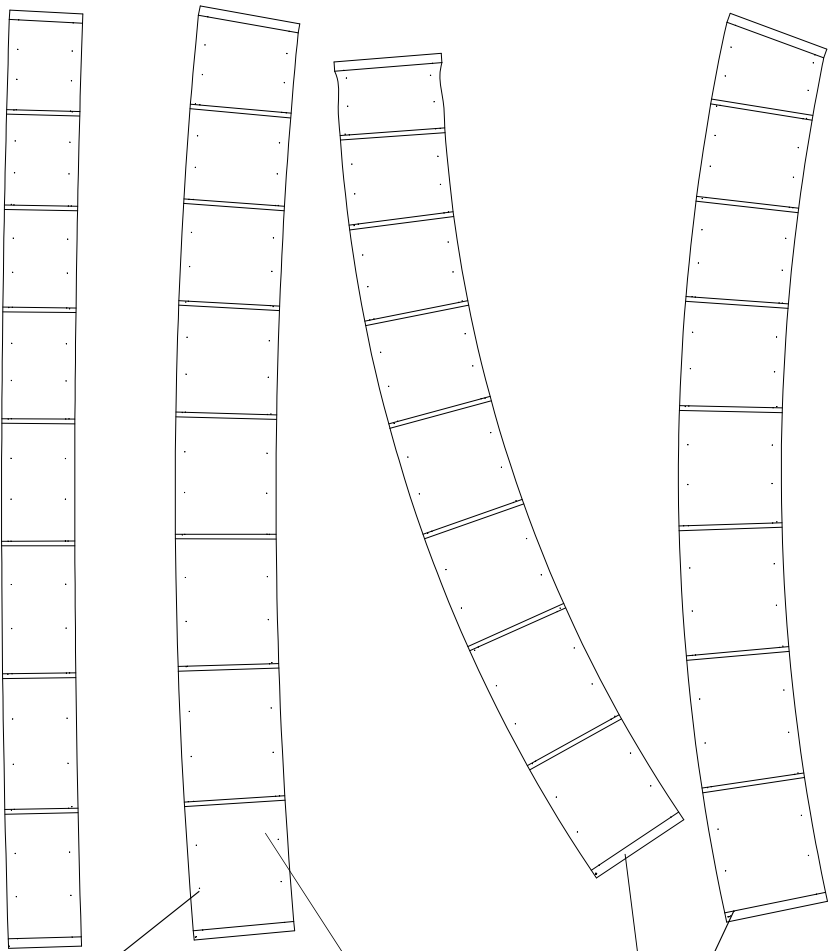
MIL-W-5625 3/4" TAPE
LOWER BAND

NOT FOR SCALE

PREPARED BY: R. ADMURSITO, M.Eng., CA	DATE:
CHECKED BY:	DATE:
QC APPROVED:	DATE:
CONTRACT NO:	

PARACHUTE INDONESIA
 Jl. Gading Grya Lestari Raya Blok HI no. 43,
 Sukapura, Jakarta Utara 14140,

DSU-25-P1	
SEWING PATTERNS	
DRAWING:	REVISION:
SCALE: NONE	SHEET:



STITCH MARKINGS

ML-W-5625 3/4" TAPE
LOWER BAND MARKS

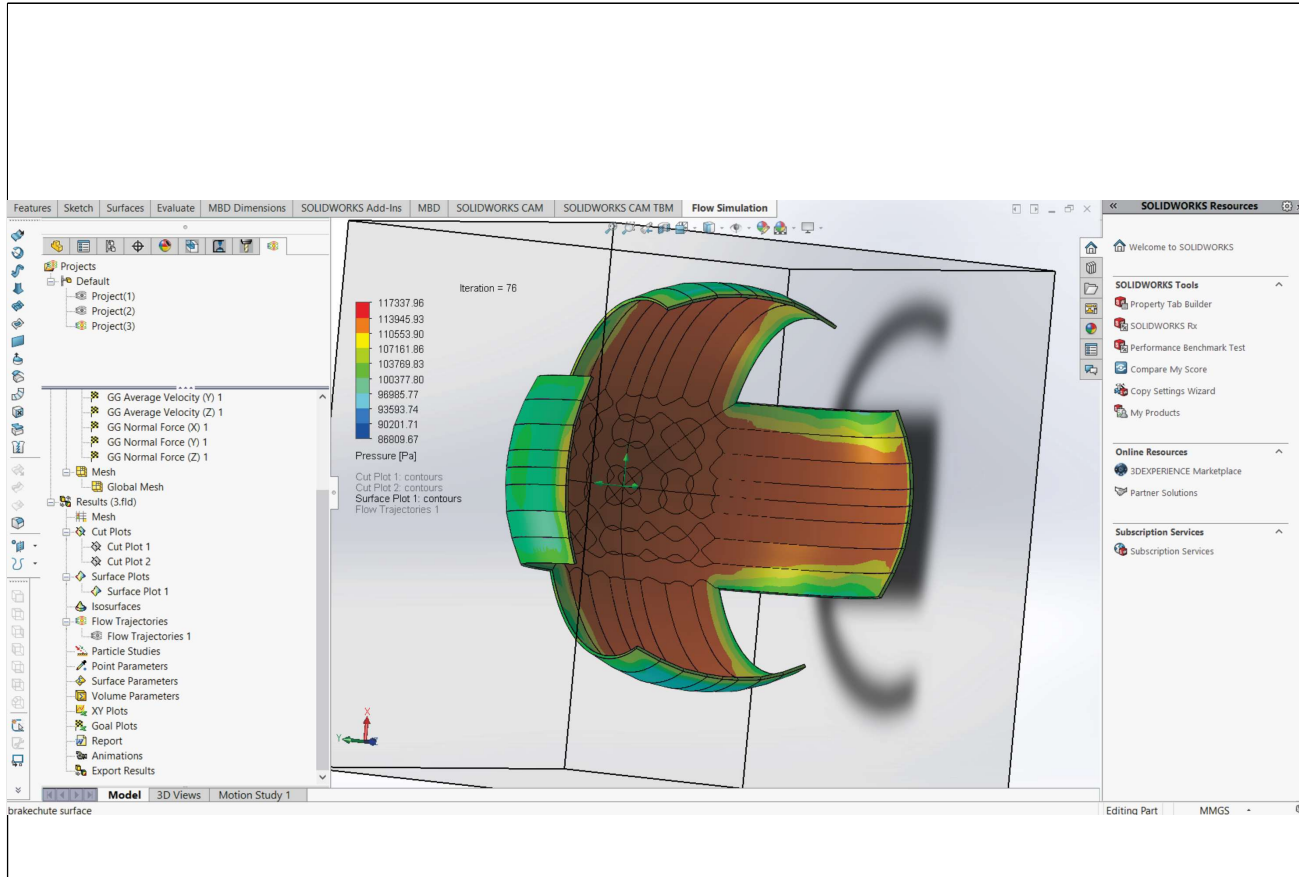
ARAMID FABRICS

NOT FOR SCALE

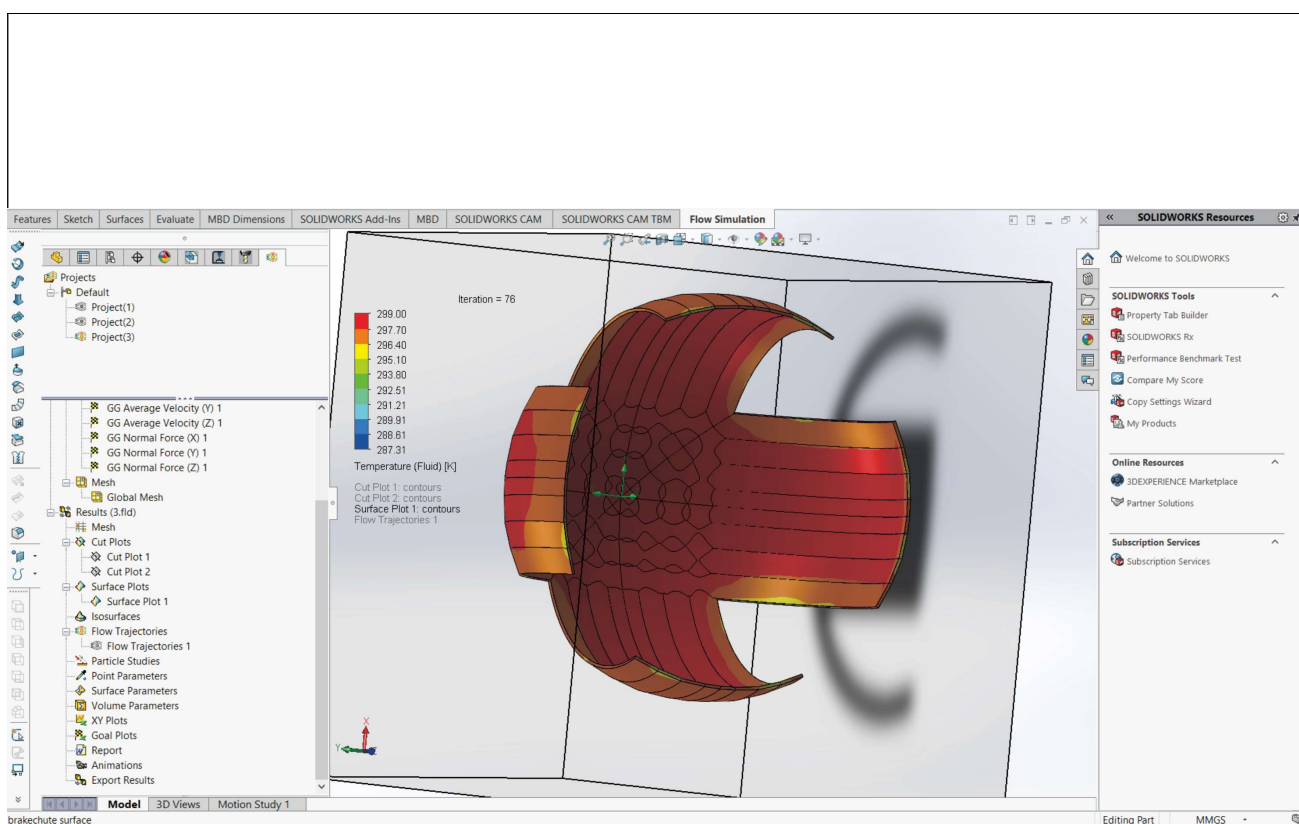
PREPARED BY: R. ADMURSTO, M.Eng. CA	DATE:
CHECKED BY:	DATE:
QC APPROVED:	DATE:
CONTRACT NO:	

PARACHUTE INDONESIA
 Jl. Gading Grya Lestari Raya Blok HI no. 43,
 Sukapura, Jakarta Utara 14140,

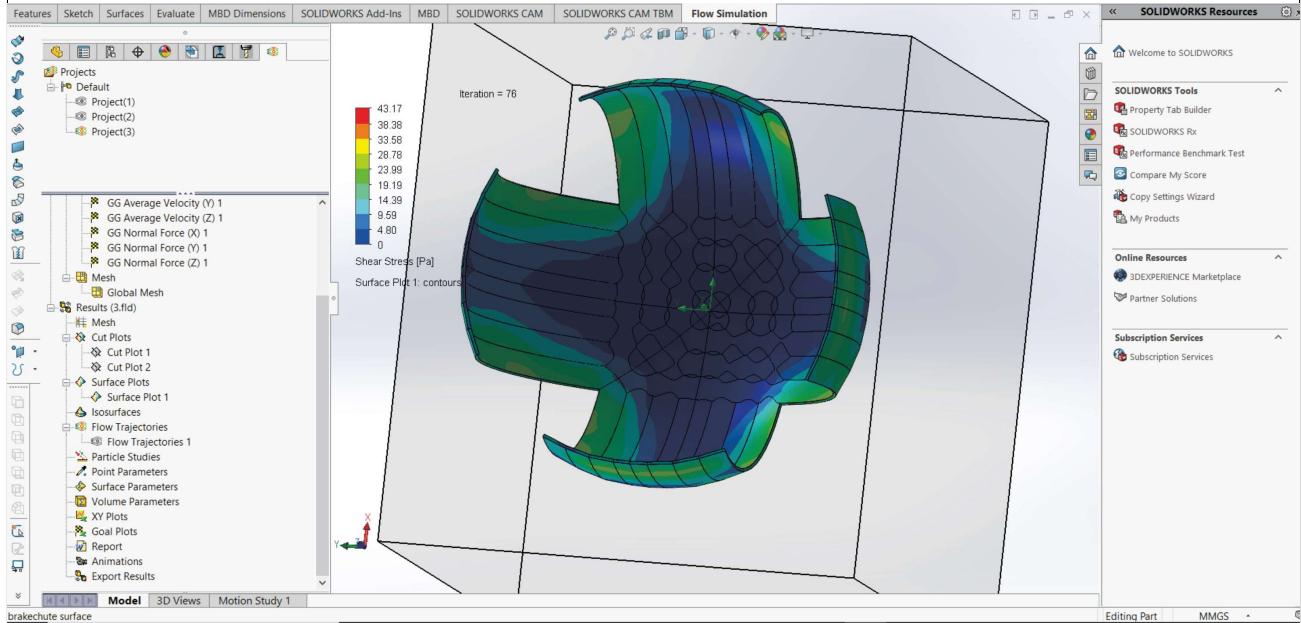
DSU-25-P1 INDIVIDUAL PATTERNS	
DRAWING:	REVISION:
SCALE: NONE	SHEET:



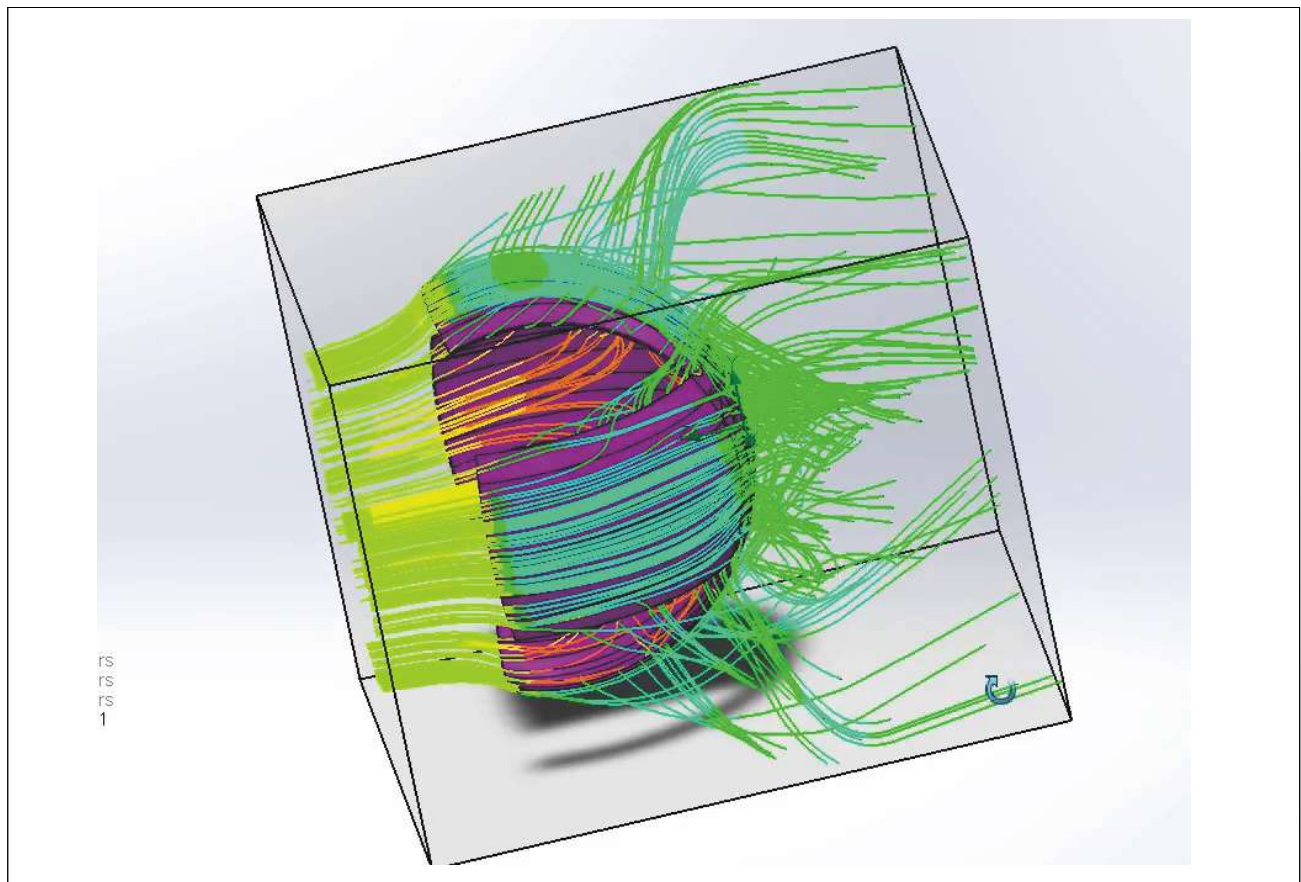
NOT FOR SCALE	PREPARED BY: R. ADNURISTO, M.Eng, CA	DATE:	PARACHUTE INDONESIA JL. Gading Griya Lestari Raya Blok H1 no. 43 Sukapura, Jakarta Utara 14140,	DSU-25-PI CFD PRESSURE	
	CHECKED BY:	DATE:		DRAWING:	REVISION:
	QC APPROVED:	DATE:		SCALE: NONE	SHEET:
	CONTRACT NO:				



NOT FOR SCALE	PREPARED BY: R. ADNURISTO, M.Eng, CA	DATE:	PARACHUTE INDONESIA JL. Gading Griya Lestari Raya Blok H1 no. 43 Sukapura, Jakarta Utara 14140,	DSU-25-PI CFD TEMPERATURE	
	CHECKED BY:	DATE:		DRAWING:	REVISION:
	QC APPROVED:	DATE:		SCALE: NONE	SHEET:
	CONTRACT NO:				



NOT FOR SCALE	PREPARED BY: R. ADNURISTO, M.Eng, CA	DATE:	PARACHUTE INDONESIA Jl. Gading Griya Lestari Raya Blok H1 no. 43 Sukapura, Jakarta Utara 14140,	DSU-25-PI	
	CHECKED BY:	DATE:		CFD	
	QC APPROVED:	DATE:		SHEAR STRENGTHS	
	CONTRACT NO:			DRAWING: NONE	REVISION:
				SCALE: NONE	SHEET:



NOT FOR SCALE	PREPARED BY: R. ADNURISTO, M.Eng, CA	DATE:	PARACHUTE INDONESIA Jl. Gading Griya Lestari Raya Blok H1 no. 43 Sukapura, Jakarta Utara 14140,	DSU-25-PI	
	CHECKED BY:	DATE:		FLOW	
	QC APPROVED:	DATE:		SIMULATION	
	CONTRACT NO:			DRAWING: NONE	REVISION:
				SCALE: NONE	SHEET: